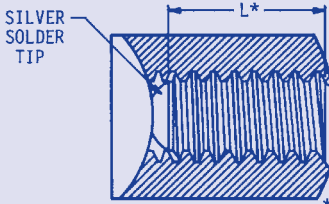


SILVER SOLDER POINT

SET SCREW

**HEX SOCKET
DRIVE**

Material: Tip - Silver solder. Screw - Series #300 Stainless Steel.



*LENGTH EXCLUDING TIP

Features:

- Complete contact with the shaft contour for high holding strength.
- Easy removal eliminates re-setting problems.
- The soft silver solder tip adjusts to a new surface for repeated reuse or reset.

D

Cat. No.	Screw Size	Length *	Cat. No.	Screw Size	Length *
DDX-B3-1	#2-56	1/8	DDX-B3-10	#10-32	3/16
DDX-B3-2	#4-40	1/8	DDX-B3-11	#10-32	3/8
DDX-B3-3	#4-40	1/4	DDX-B3-12	1/4-20	1/4
DDX-B3-4	#6-32	1/8	DDX-B3-13	1/4-20	3/8
DDX-B3-5	#6-32	1/4	DDX-B3-14	1/4-28	3/8
DDX-B3-6	#8-32	3/16	DDX-B3-15	5/16-18	1/2
DDX-B3-7	#8-32	3/8	DDX-B3-16	5/16-18	3/4
DDX-B3-8	#10-24	3/8	DDX-B3-17	3/8-16	1/2
			DDX-B3-18	3/8-16	1

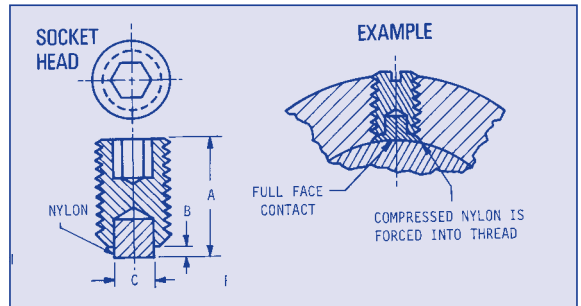
NYLON POINT SET SCREWS

METRIC SIZES

Material: Stainless steel
Insert-nylon

ORDER BY CATALOG NUMBER

Dimensions in millimeters



Cat. No.	Screw Size	A	B	C	Cat. No.	Screw Size	A	B	C
DDS-M1-1	M2	4	0,8	0,8	DDS-M1-13	M5	7	1,2	2,4
DDS-M1-2		5			DDS-M1-14		11		
DDS-M1-3		6			DDS-M1-15		15		
DDS-M1-4		7			DDS-M1-16		21		
DDS-M1-5	M3	4	0,8	1,6	DDS-M1-17	M6	7,5	1,6	3,2
DDS-M1-6		5			DDS-M1-18		11,5		
DDS-M1-7		6			DDS-M1-19		17,5		
DDS-M1-8		7			DDS-M1-20		26,5		
DDS-M1-9	M4	5	1,2	2,4	DDS-M1-21	M10	14,5	2,4	4,8
DDS-M1-10		7			DDS-M1-22		22,5		
DDS-M1-11		11			DDS-M1-23		32,5		
DDS-M1-12		15							